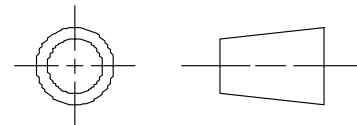
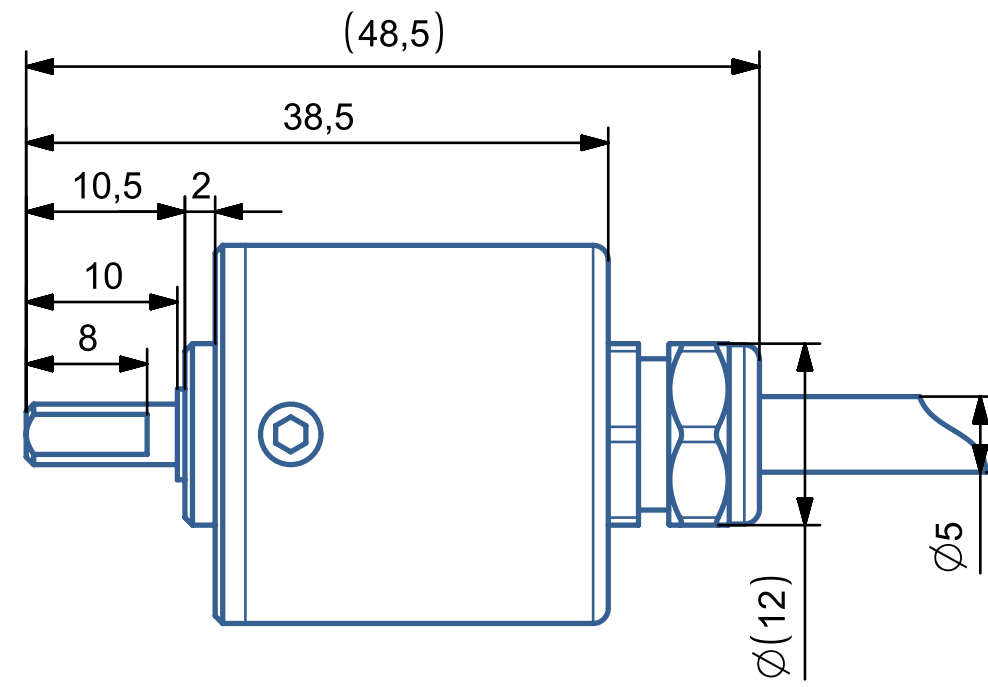



D 字型轴尺寸  
比例 5 : 1



ALL DIMENSIONS IN MM

		THIS DRAWING HAS BEEN PRODUCED USING AN EXAMPLE TEMPLATE PROVIDED BY SIEMENS PLM SOFTWARE		
		TITLE		
FIRST ISSUED		SIZE		DRG NO.
DRAWN BY		A3		00 □□□ IP54-BRT25-4mm □ □ □ □
CHECKED BY		SCALE 1:1		SHEET REV
APPROVED BY				A
				SHEET 1 OF 1